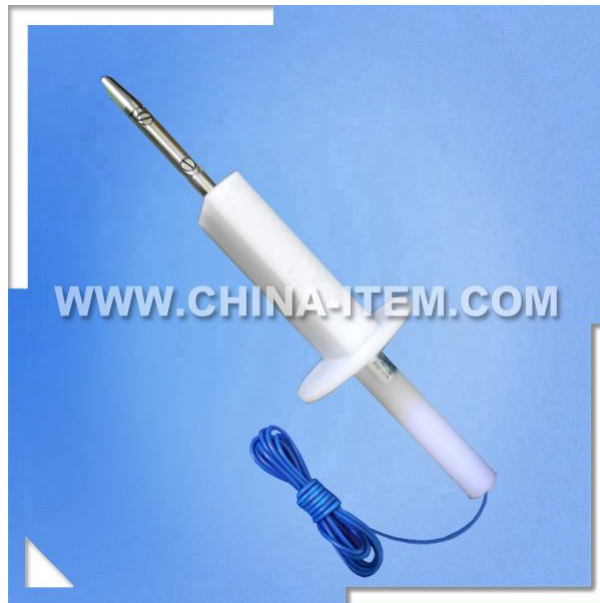


Jointed Test Finger



IEC 61032 the Standard Jointed Test Finger Probe B

IP2X Protection Probe

1. Conforms to: Standard IEC 61032-1997, IEC 60529-2001, IRAM 4220-1, GB/T4208-2008 and UL etc.
2. The Standard Test Knurled Finger Probe is the necessary appliance to prevent electric shock for household and similar electrical problem.

Technical Parameters:

1. Knurled Finger Diameter: 12mm
2. Knurled Finger Length: 80mm
3. Baffle Plate Diameter: 50mm
4. Baffle Plate Length: 100mm
5. Baffle thickness: 20mm

Application:

1. The joint part of The Standard Test Knurled Finger Probe can't touch the live parts or close to the dangerous parts, and 50 mm to 20 mm baffle plate cannot enter.
2. In the prevent electric shock test, wirings , power devices, and lighting devices are needed.

Notes:

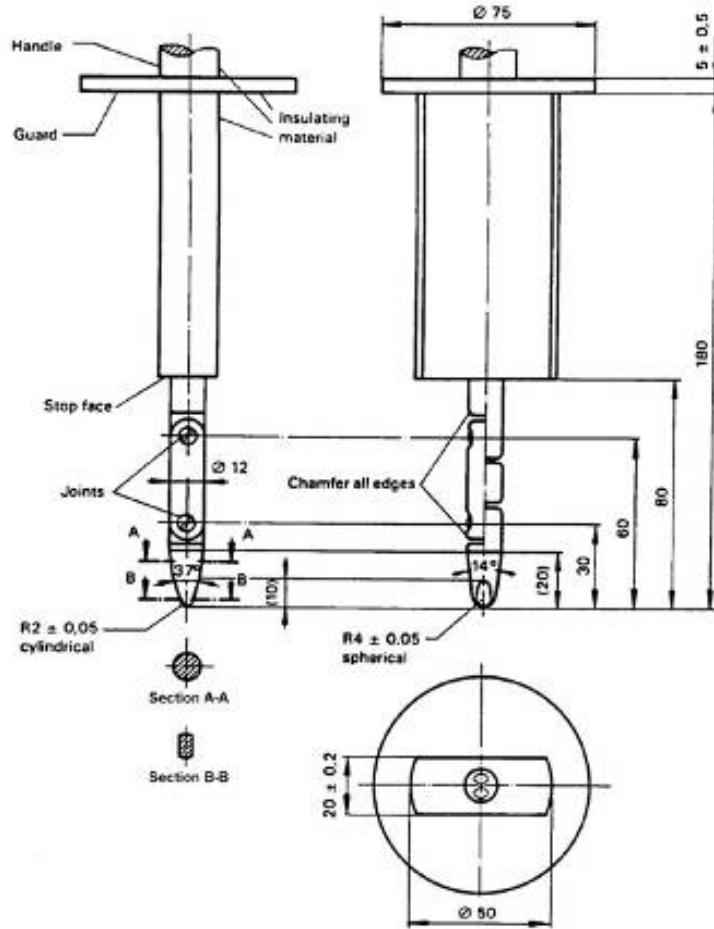
Both joints shall permit movement in the same plane and the same direction through an angle of 90° with a 0° to +10° tolerance.



Detail



b)



Dimensions in millimetres

Material: metal, except where otherwise specified.

Tolerance on dimensions when no specific tolerance is given:

– on angles: $\begin{matrix} 0 \\ -10^\circ \end{matrix}$

– on linear dimensions: up to 25 mm: $\begin{matrix} 0 \\ -0.05 \end{matrix}$ mm; over 25 mm: ± 0.2 mm

Both joints shall permit movement in the same plane and the same direction through an angle of 90° with a 0° to $+10^\circ$ tolerance.

This probe is intended to verify the basic protection against access to hazardous parts. It is also used to verify the protection against access with a finger.

Figure 2 – Test probe B